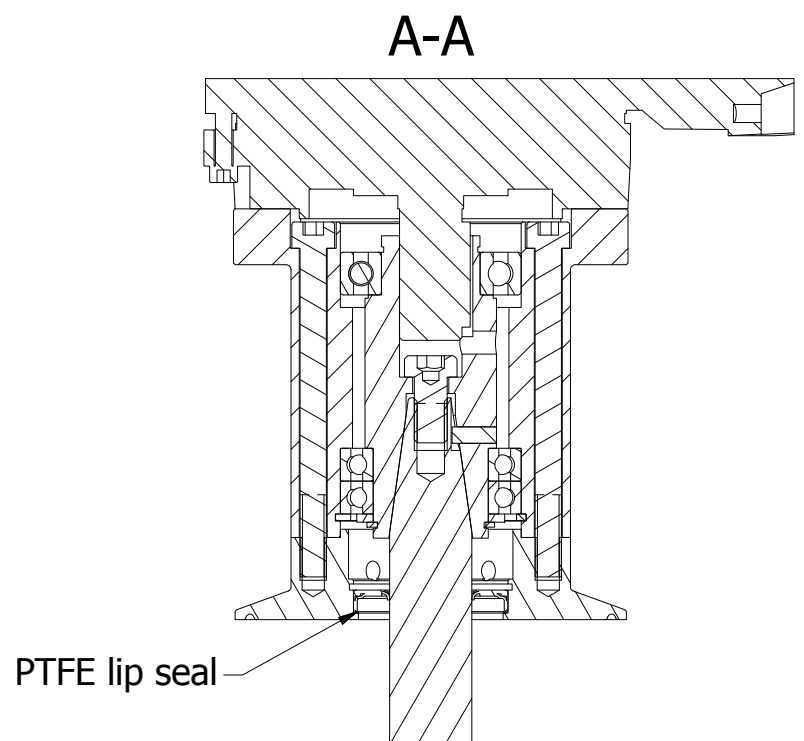
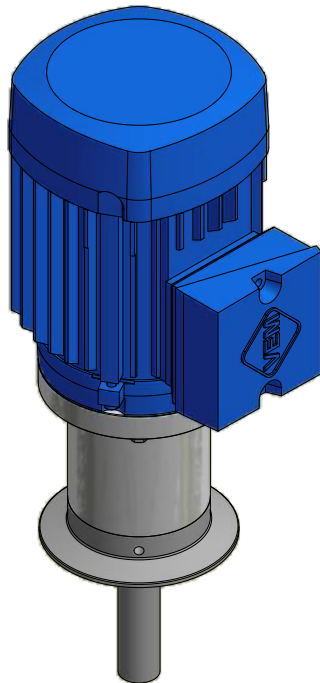
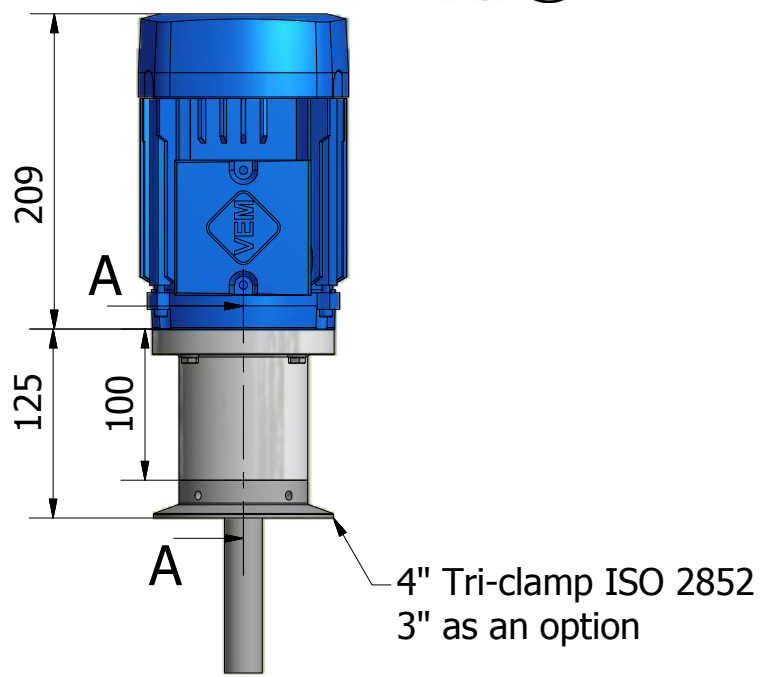


Frema Proces Size 1 Agitator

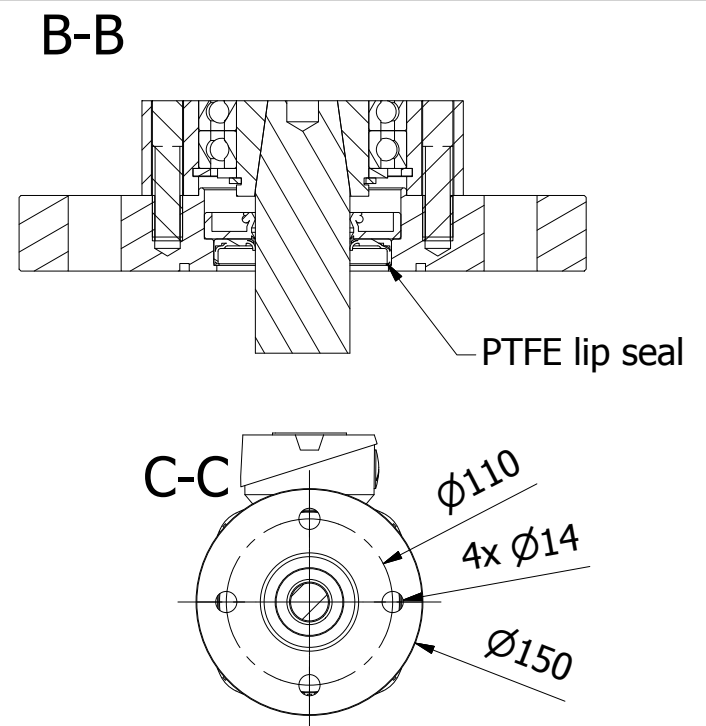
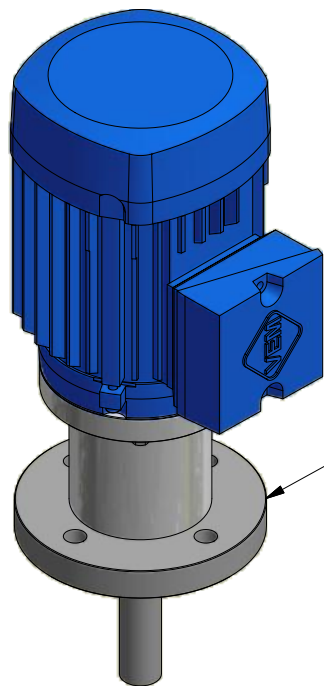
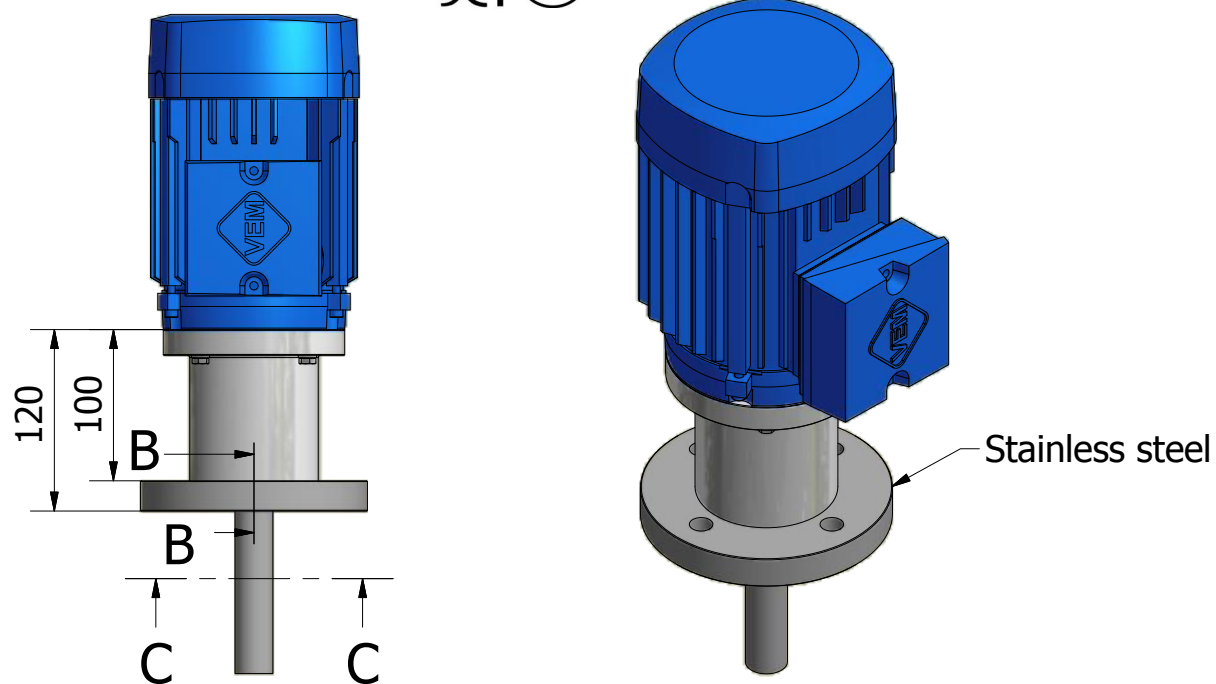
Agitator for Food/Pharma and chemical industry.

- Motor power: 0,25-0,75 kW - Speed: 700-1800 rpm.
- Stainless steel motor as an option
- Bearing housing in anodized aluminum, stainless steel as an option
- Ø25 mm shaft and length up to 1200 mm

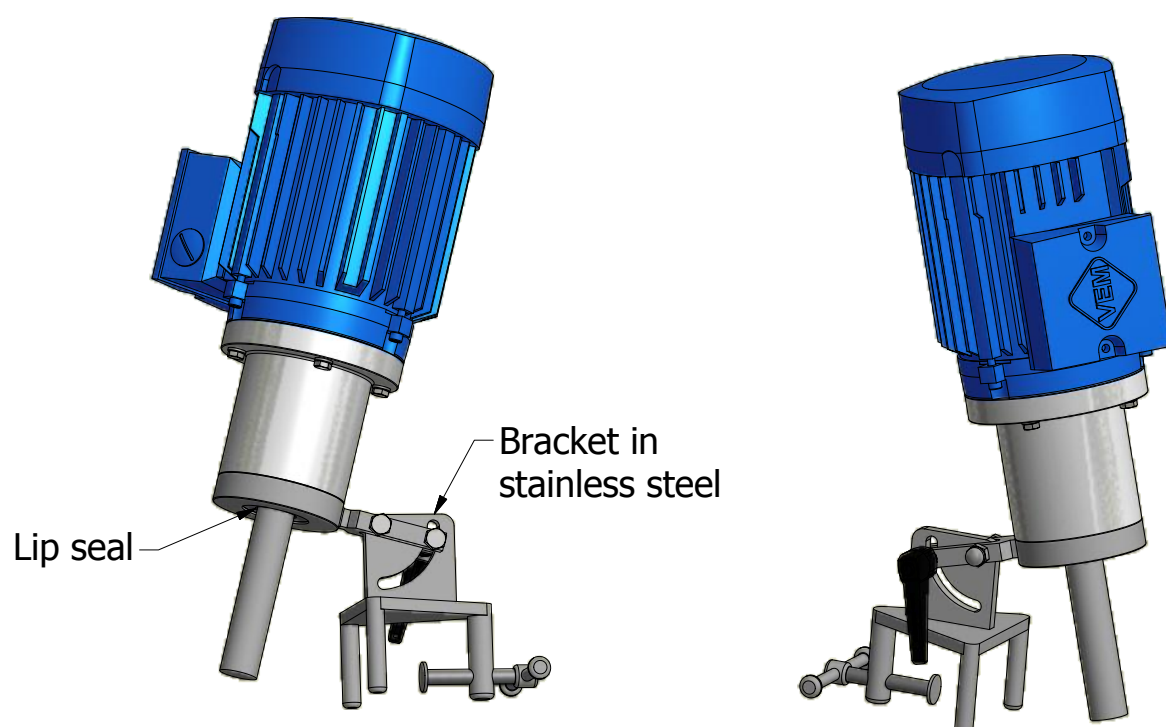
Tri clamp option



Top entry option



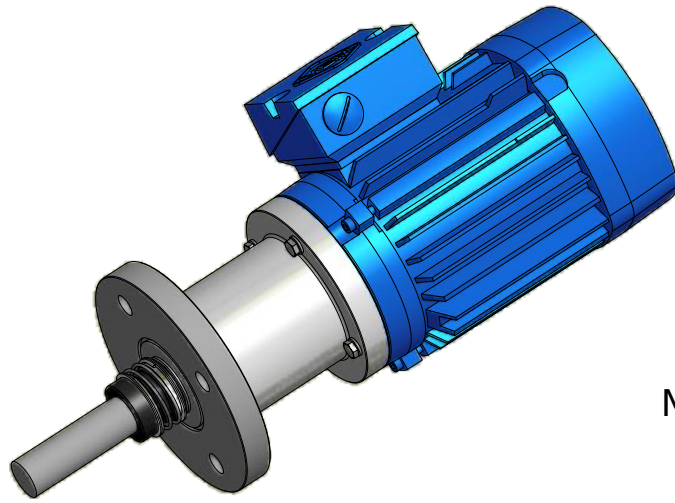
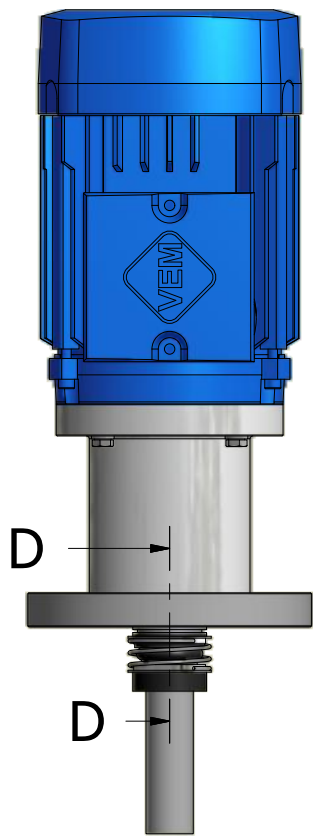
Tank clamp mounted option



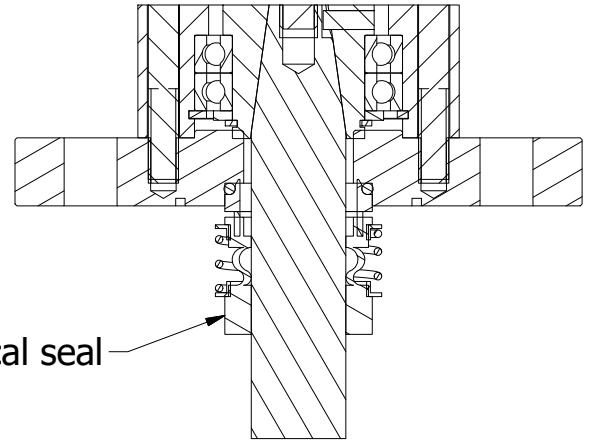
Frema 
Proces

Kaervej 17, DK 3520 Farum
Phone: +45 80 29 10 05
www.fremaproces.dk
top@fremaproces.dk

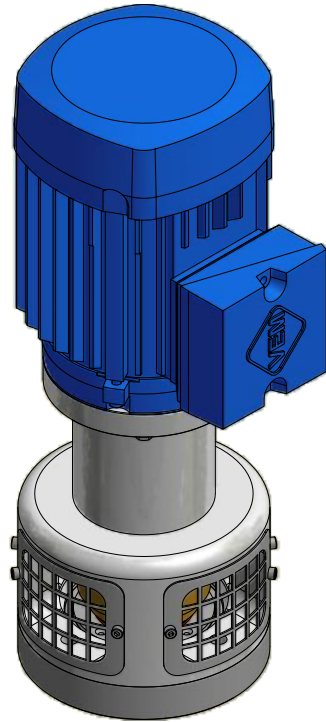
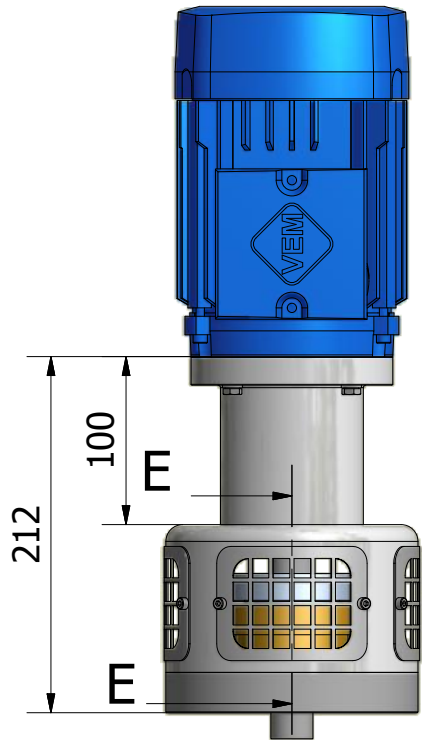
Side entry option



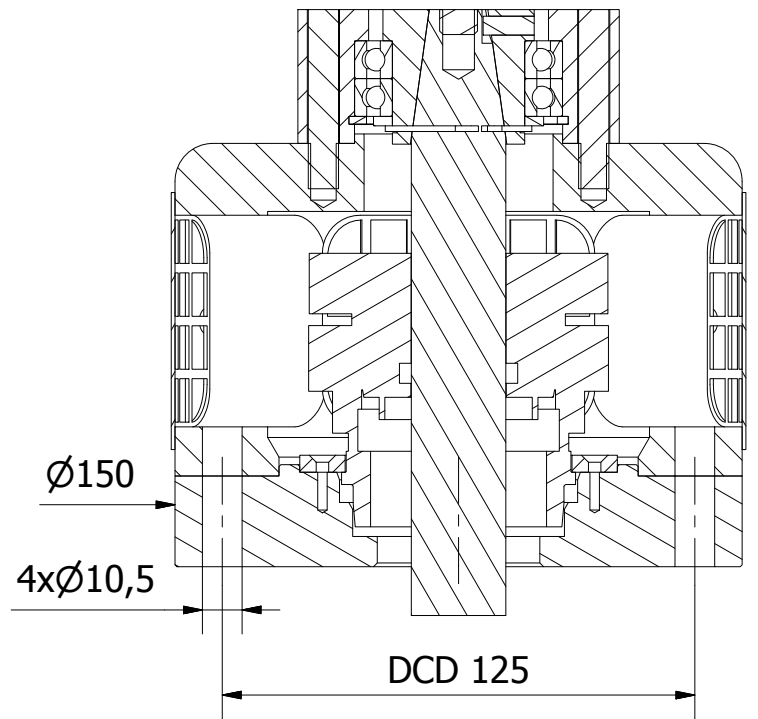
D-D



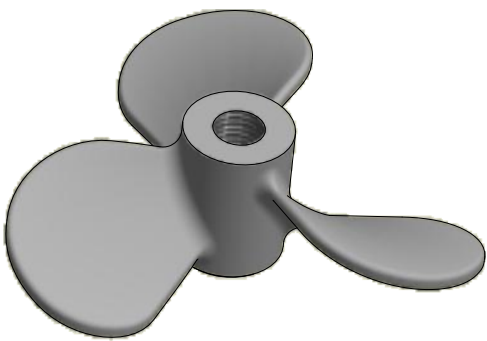
Top entry option Ex



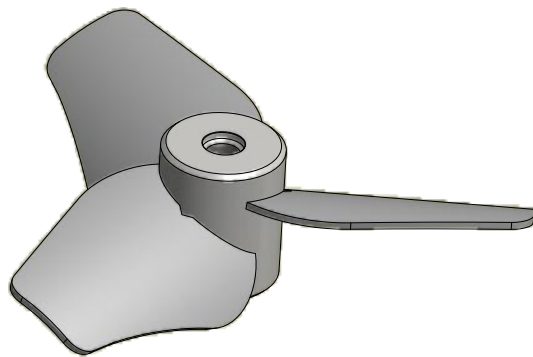
E-E



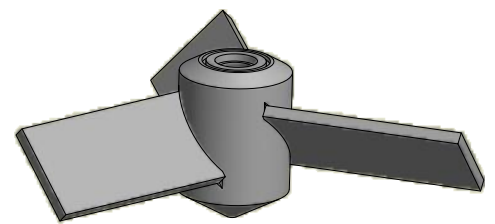
Available impellers



Marine propeller



Frema hydrofoil



45° Pitched blade turbine



Kaervej 17, DK 3520 Farum
 Phone: +45 80 29 10 05
 www.fremaproces.dk
 top@fremaproces.dk